



SPECIFICATION SHEET

UMACABLE HIGH QUALITY ULTRA SLIM FLEXIBLE HDMI CABLE WITH METAL HOUSING

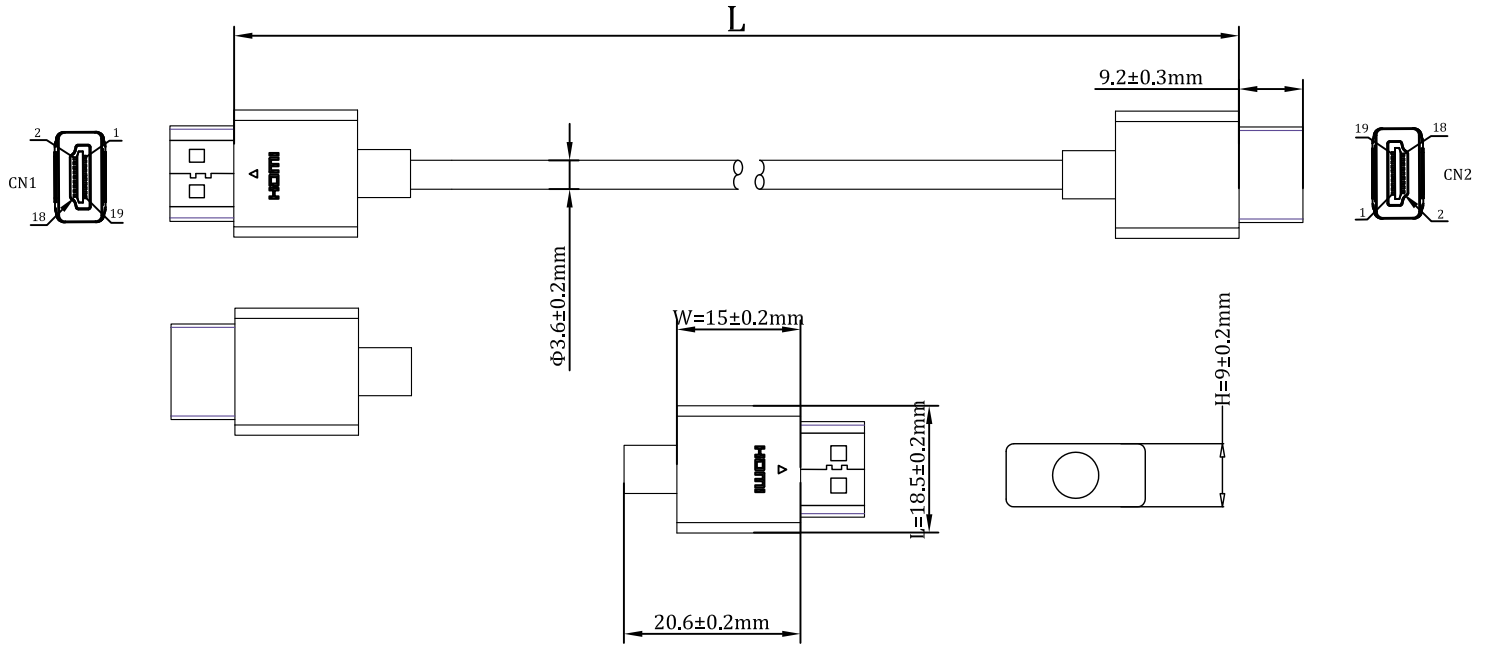
ITEM NO.: UMHD1016



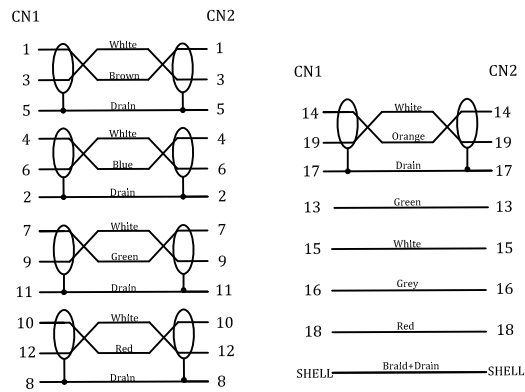
KEY FEATURES :

- High Speed HDMI Cable with Ethernet
- Ultra slim, flexible cable construction and the low profile, compact Metal connectors
- Enables transmission of High Dynamic Range (HDR) video
- Bandwidth up to 18Gbps
- 3D video, Deep Color and x.v. Color™
- Dolby® True HD, DTS-HD Master Audio and up to 32 audio channels for a multi-dimensional immersive audio experience
- Up to 1536kHz audio sample frequency for the highest audio fidelity
- Simultaneous delivery of dual video streams to multiple users on the same screen
- Simultaneous delivery of multi-stream audio to multiple users (up to 4)
- Support for the wide angle theatrical 21:9 video aspect ratio
- Dynamic synchronization of video and audio streams
- CEC extensions for control of consumer electronics devices through a single control point
- Lifetime Warranty

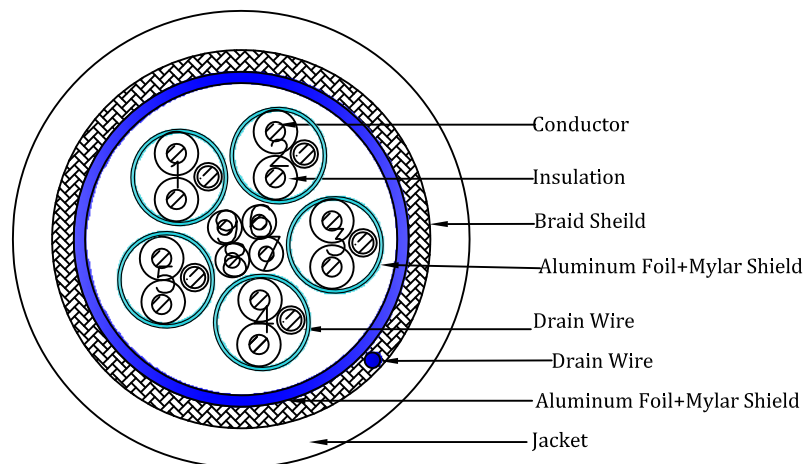
UMACABLE HIGH QUALITY ULTRA SLIM FLEXIBLE HDMI CABLE WITH METAL HOUSING



Diagram



Construction



UMACABLE HIGH QUALITY ULTRA SLIM FLEXIBLE HDMI CABLE WITH METAL HOUSING

Electrical Characteristics:

| | |
|----------------------------------|------------------|
| Nominal Impedance: | 100±10Ω |
| Nominal Velocity of Propagation: | ≤1.78ns |
| DC Resistance: | 376Ω/km |
| Dielectric Strength: | AC 500V/1 minute |
| Insulation Resistance: | 100Ω |

Physical Characteristics:

| | |
|----------------------|--|
| Voltage Rating: | 30V |
| Maximum Bend Radius: | 90mm |
| Temperature Rating: | 80℃ |
| Approvals: | RoHS Compliant |
| Package type: | PE bag, Zip bag, Box, Hang card, Blister |

Conductor 1 (5 pairs)

| | |
|-----------------|---|
| Conductor Type: | 36AWG Tinned Copper |
| Insulation: | Foamed PE |
| Color: | Brown/White, Blue/White, Green/White, Red/White, Orange/White |
| Drain Wire: | 36AWG Tinned Copper |
| Shield: | Aluminum Foil+Mylar 100% Coverage |

Conduct 2 (4 cores)

| | |
|-----------------|--------------------------------------|
| Conductor Type: | 36AWG Tinned Copper |
| Insulation: | HDPE |
| Color: | Green, White, Grey, Red |
| Shield: | Aluminum Foil+Mylar 100% Coverage |

Connector 1

| | |
|-------------------|------------------|
| Connector Type: | HDMI Type A Male |
| PIN Construction: | Phosphor Copper |
| Plating: | 1 μm Gold |
| Injection: | Zinc Alloy |

Connector 2

| | |
|-------------------|------------------|
| Connector Type: | HDMI Type A Male |
| PIN Construction: | Phosphor Copper |
| Plating: | 1 μm Gold |
| Injection: | Zinc Alloy |

Overall

| | |
|-----------------|--------------------------------------|
| Drain Wire: | 30AWG Bare Copper |
| Foil Shield: | Aluminum Foil+Mylar 100% Coverage |
| Braided Shield: | 16/6/0.12 Aluminum Magnesium |
| Jacket: | PVC |
| OD: | 3.6±0.2mm |

Customized Parameters

| | |
|---------------|--|
| Guage: | AWG 36 34 |
| Length: | 1, 1.5, 1.8, 2, 3 5m |
| Color: | Black or Customized |
| Ferrite Core: | Customized |
| Nylon Mesh: | Customized |
| Package type: | PE bag, Zip bag, Box, Hang card, Blister |